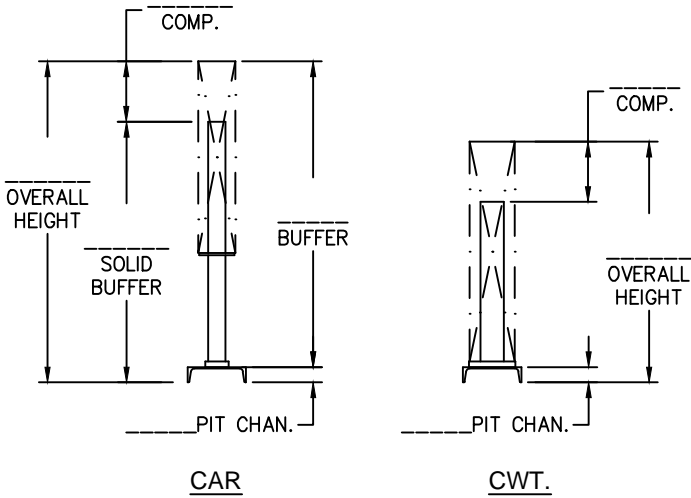
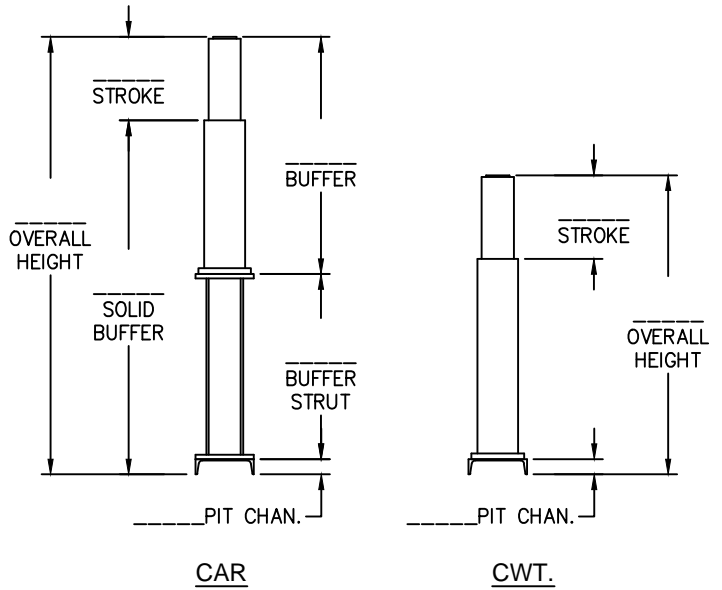


E-171 EXISTING EQUIPMENT SURVEY (SHT. 1)

**EXISTING SPRING BUFFERS**

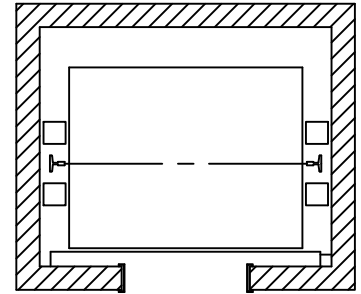
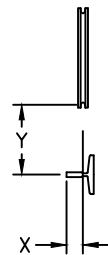


**EXISTING OIL BUFFERS**



**EXISTING SAFETY / GOVERNOR / TENSION WGT.**

- SAFETY PULL-THRU IN POUNDS? \_\_\_\_\_
- INDICATE QUADRANT FOR GOV./TENSION WGT.
- LOCATION OF SAFETY PICK-UP ARM? X=\_\_\_\_\_ Y=\_\_\_\_\_
- ROPE DIAMETER? \_\_\_\_\_
- RAIL SIZE? \_\_\_\_\_
- STILE CHANNEL SIZE? \_\_\_\_\_

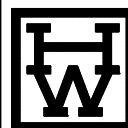


1. INDICATE QUADRANT FOR GOVERNOR/TENSION WEIGHT.
2. INDICATE IF GOVERNOR FACES OUTWARD.

**EXISTING MACHINE / SHEAVES**

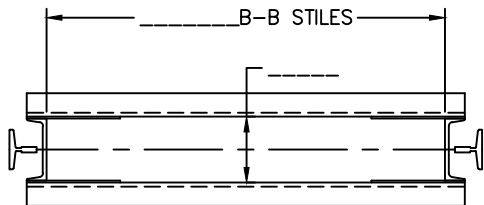
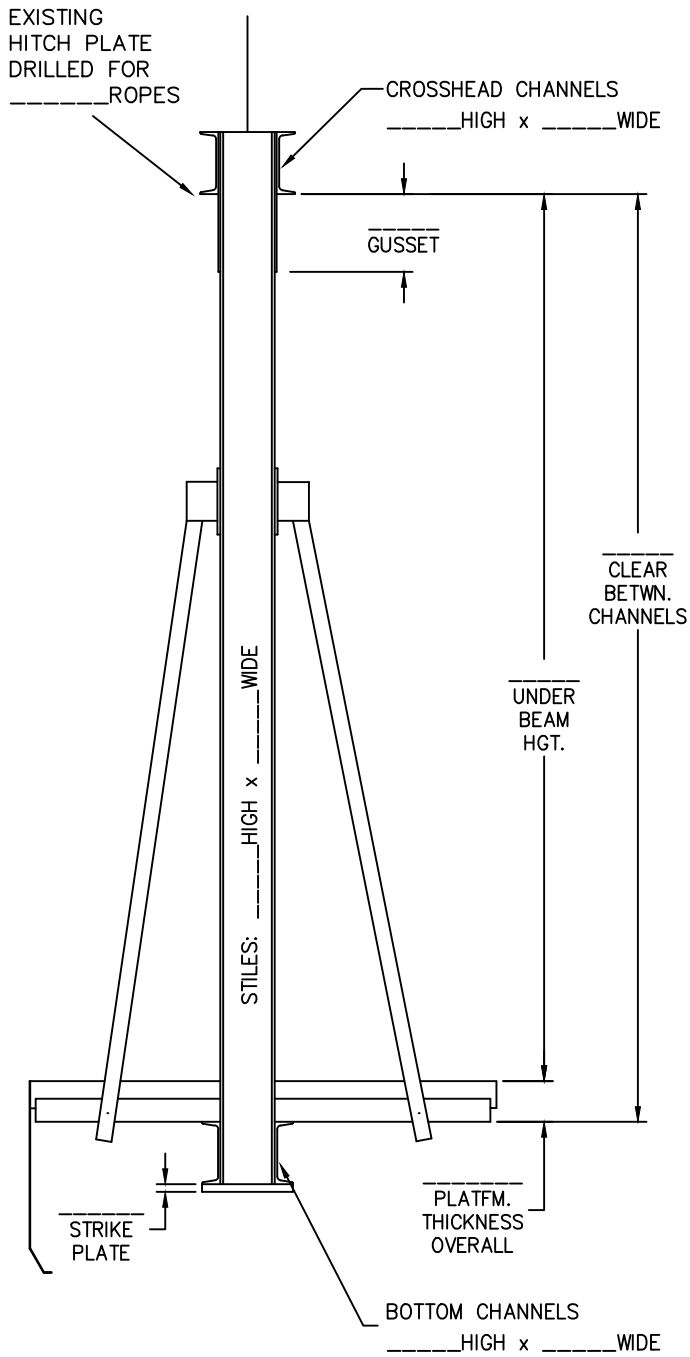
- HOIST ROPES: QUANTITY \_\_\_\_\_ DIAMETER \_\_\_\_\_
- PITCH OF HOIST ROPES? (ϵ TO ϵ OF GROOVES ON FACE OF TRACTION SHEAVE): \_\_\_\_\_
- HAND OF MACHINE? (STANDING AT MOTOR END, WHICH SIDE IS T.S. LOCATED ON?) \_\_\_\_\_
- ROPING - 1:1 OR 2:1? \_\_\_\_\_
- DIAMETER OF EXIST. DEFL. SHEAVE? \_\_\_\_\_
- DIAMETER OF EXIST. OVERHEAD SHEAVES? \_\_\_\_\_
- DIAMETER OF EXIST. CAR SHEAVE(S) \_\_\_\_\_
- DIAMETER OF EXIST. CWT. SHEAVE? \_\_\_\_\_

ELEV. CONTR. \_\_\_\_\_  
 JOB NAME \_\_\_\_\_  
 ELEVATOR NO. \_\_\_\_\_  
 H-W JOB NO. \_\_\_\_\_ DATE \_\_\_\_\_

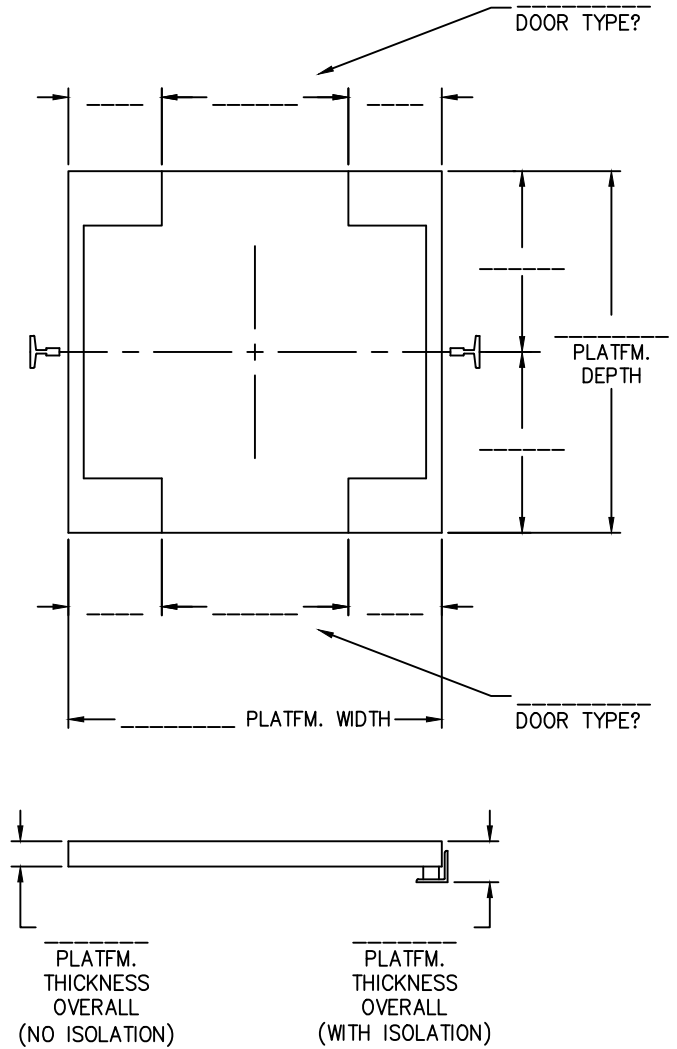


HOLLISTER-WHITNEY ELEVATOR CORP.  
 #1 Hollister-Whitney Parkway  
 Quincy, Illinois 62305  
 Ph. (217)222-0466 Fax (217)222-0493  
 email: engineering@hwec.com

**EXISTING CAR SLING**



**EXISTING PLATFORM**



**EXISTING WEIGHTS / DUTY**

EXISTING TOTAL EMPTY CAR WEIGHT: \_\_\_\_\_

EXISTING CAPACITY RATING: \_\_\_\_\_

EXISTING LOAD CLASSIFICATION: \_\_\_\_\_  
(PASSENGER OR CLASS A, B, C1, C2, C3)

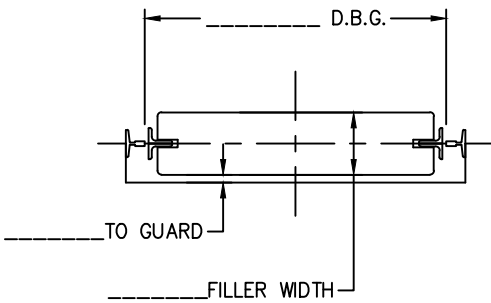
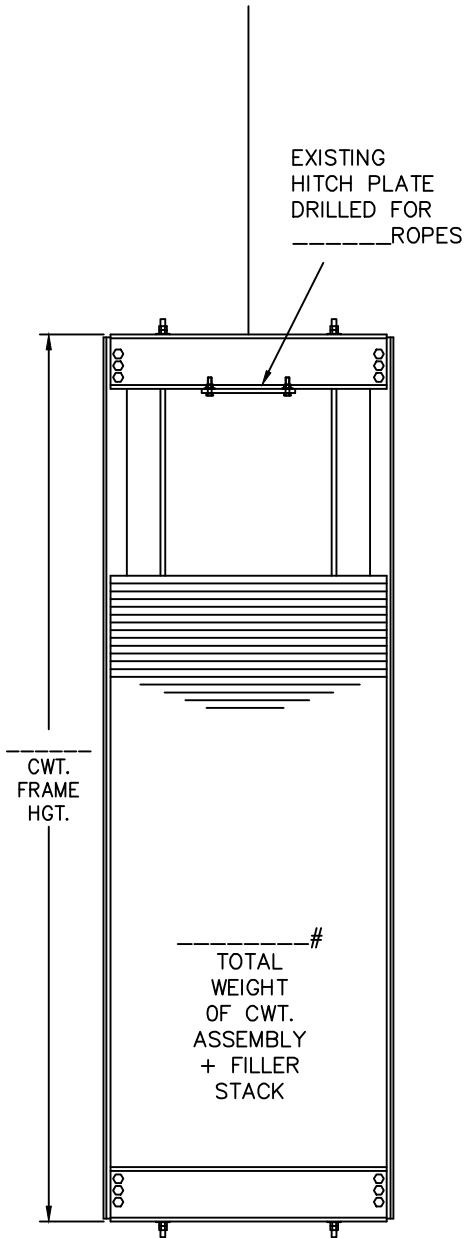
EXISTING CAR SPEED: \_\_\_\_\_

ELEV. CONTR. \_\_\_\_\_  
 JOB NAME \_\_\_\_\_  
 ELEVATOR NO. \_\_\_\_\_  
 H-W JOB NO. \_\_\_\_\_ DATE \_\_\_\_\_

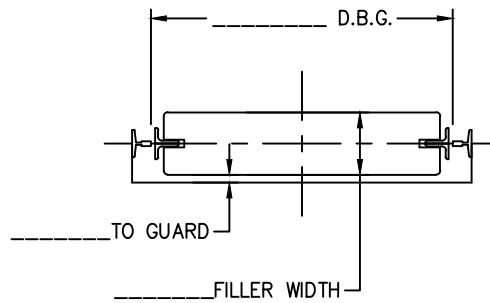
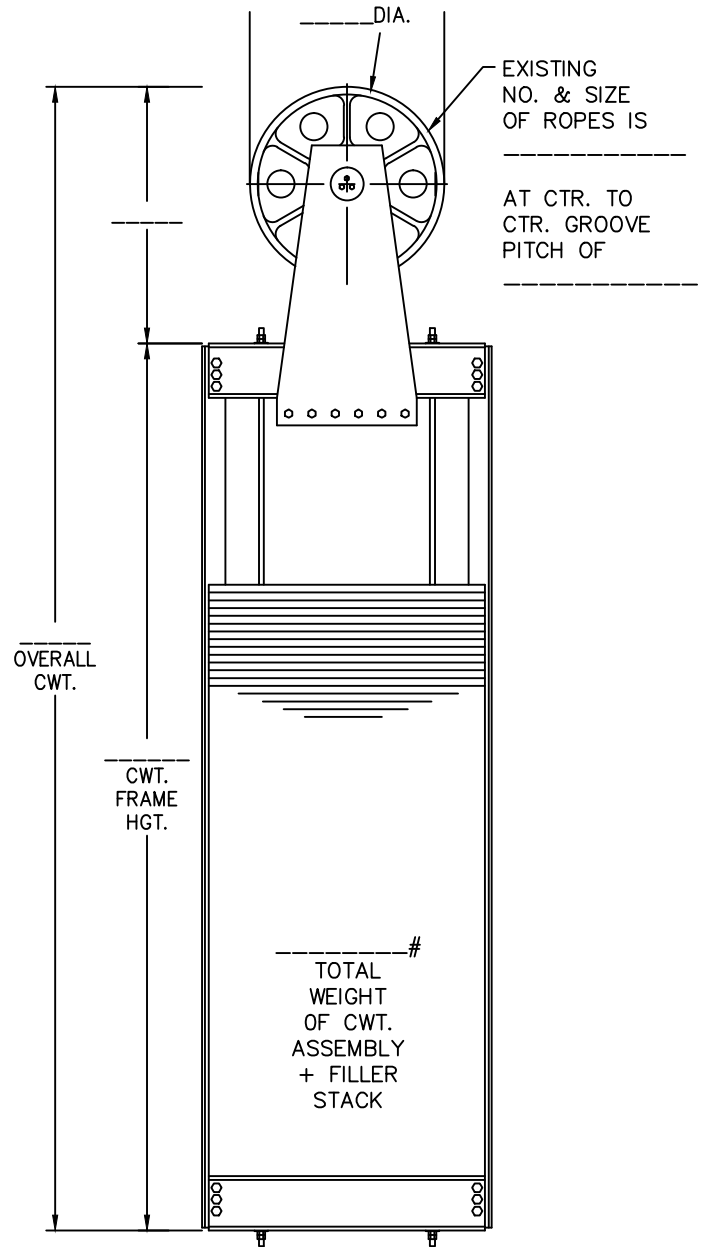


HOLLISTER-WHITNEY ELEVATOR CORP.  
 #1 Hollister-Whitney Parkway  
 Quincy, Illinois 62305  
 Ph. (217)222-0466 Fax (217)222-0493  
 email: engineering@hwec.com

**EXISTING COUNTERWEIGHT WITHOUT SHEAVE**



**EXISTING COUNTERWEIGHT WITH SHEAVE**



ELEV. CONTR. \_\_\_\_\_  
 JOB NAME \_\_\_\_\_  
 ELEVATOR NO. \_\_\_\_\_  
 H-W JOB NO. \_\_\_\_\_ DATE \_\_\_\_\_



HOLLISTER-WHITNEY ELEVATOR CORP.  
 #1 Hollister-Whitney Parkway  
 Quincy, Illinois 62305  
 Ph. (217)222-0466 Fax (217)222-0493  
 email: engineering@hwec.com