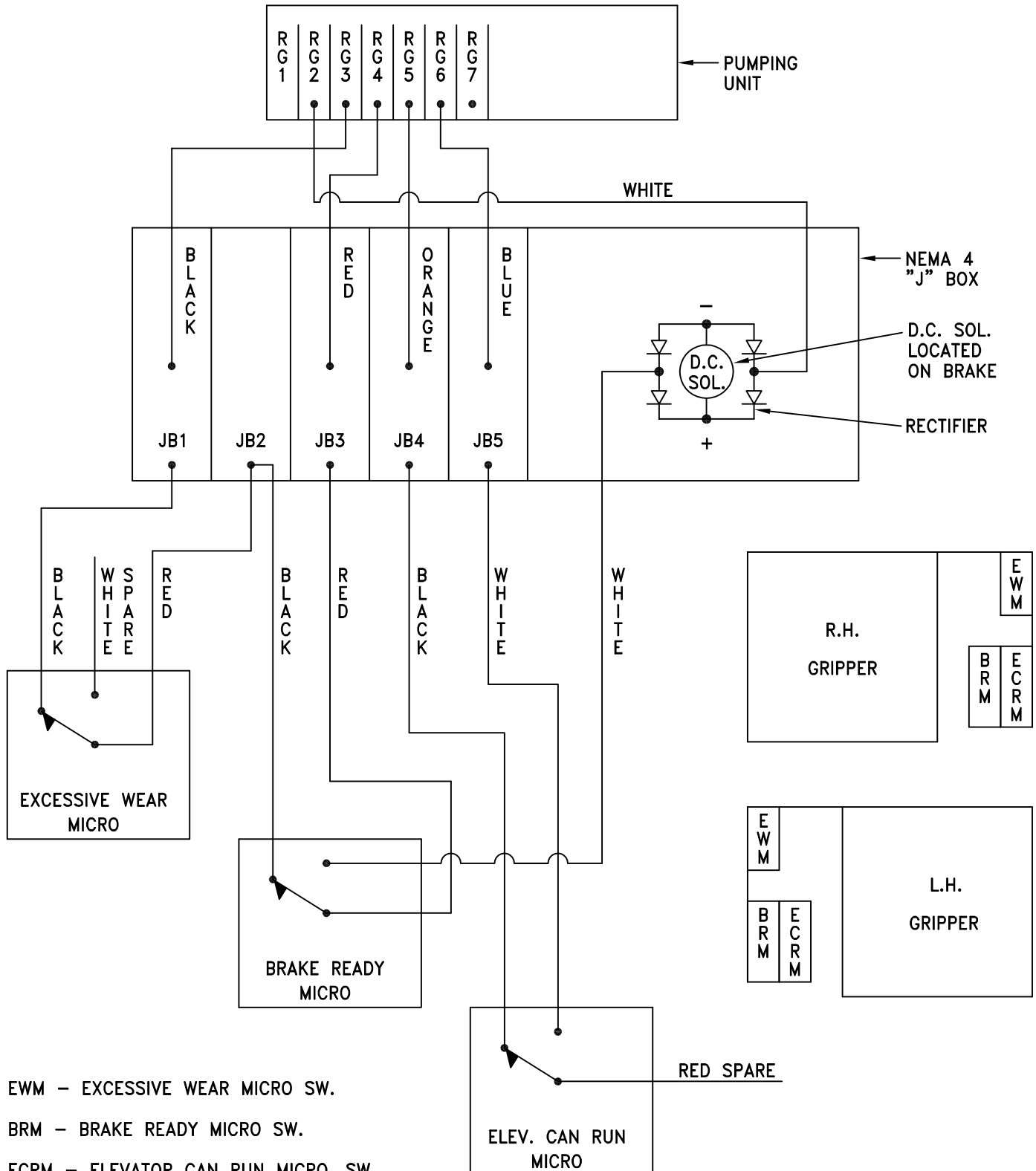


HOLLISTER-WHITNEY ELEVATOR CORPORATION

#1 Hollister-Whitney Parkway
 Quincy, IL 62305
 Phone: 217-222-0466

Fax: 217-222-0493
 email: engineering@hollisterwhitney.com
 www. hollisterwhitney.com

NEMA 4 ROPE GRIPPER WIRING DIAGRAM



EWM – EXCESSIVE WEAR MICRO SW.

BRM – BRAKE READY MICRO SW.

ECRM – ELEVATOR CAN RUN MICRO. SW.