



Hollister-Whitney Elevator Corporation

#1 Hollister-Whitney
 Parkway Quincy, IL 62305
 Phone: 217-222-0466

Fax: 217-222-0493
 e-mail: info@hollisterwhitney.com
 www.hollisterwhitney.com

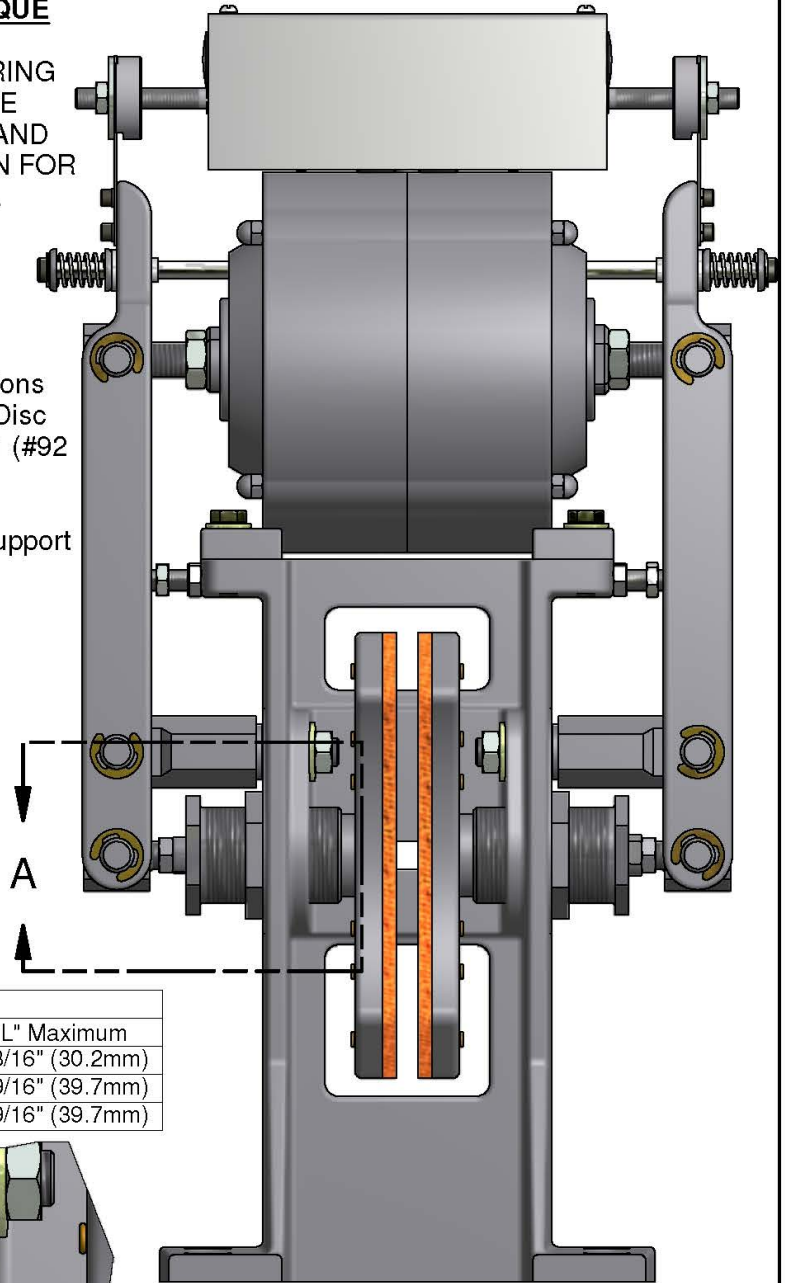
ADJUSTMENT OF DISC BRAKE TORQUE

ADJUSTMENTS ARE MADE BY ALTERING DISTANCE "L" AS REQUIRED BY SITE CONDITIONS WITHIN THE MINIMUM AND MAXIMUM DESIGN LIMITS AS SHOWN FOR EACH BRAKE IN THE CHART BELOW.

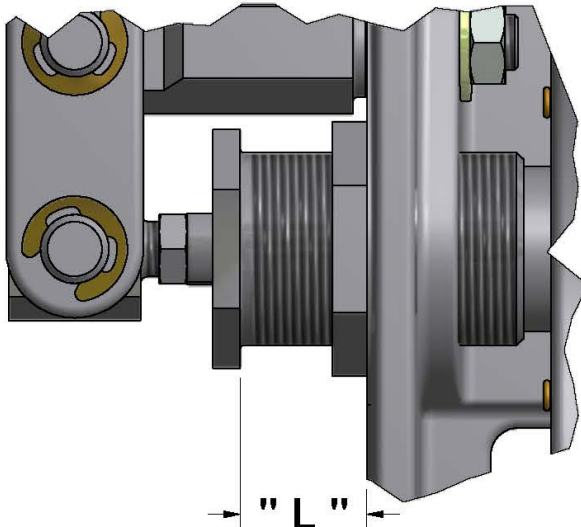
When adjustment is complete, record Distance "L" in the space provided on Machine.

For complete Brake Adjustment Instructions refer to Document E-128 (#102 & #112 Disc Brake Adjustment) and Document E-131 (#92 Disc Brake Adjustment) found at:

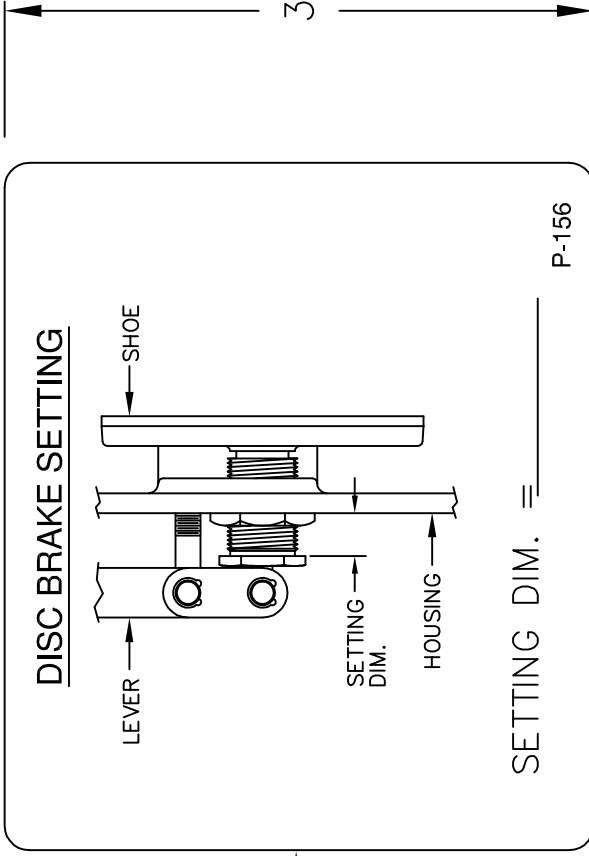
<http://www.hollisterwhitney.com/#tech-support>



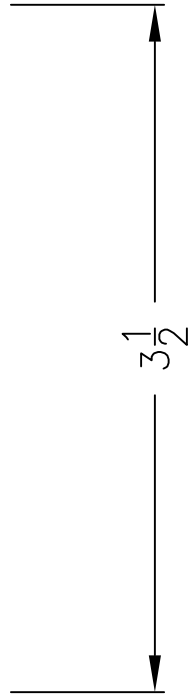
Brake Adjustment Limits			
Disc Brake	Machine	"L" Minimum	"L" Maximum
92	34	7/8" (22.2mm)	1-3/16" (30.2mm)
102	44 & 54	15/16" (23.8mm)	1-9/16" (39.7mm)
112	64	15/16" (23.8mm)	1-9/16" (39.7mm)



B	UPDATE PUR#551	LTL 12/11/12
A	RELEASE	RSP:klg 2/15/00
REV	DESCR	DATE
BULLETIN E-122		



ALUMINUM PLATE
WITH FOAM ADHESIVE
BACKING AND
BLACK PRINTING



D					
C					
B					
A					
CHG					

HOLLISTER-WHITNEY ELEVATOR CO.					
DRAWN BY	DATE	SCALE	FRACTIONS		
K.L.G.	7-17-02	1 = 1	± .005"		
MATERIAL	ALUMINUM PLATE WITH FOAM ADHESIVE BACKING		ANGLES	± .1°	
TITLE	TAG - TORQUE SETTING FOR DISC BRAKE		NO.	P-156	
	REVISION	DATE			