



HOLLISTER-WHITNEY ELEVATOR CORPORATION

#1 Hollister-Whitney Parkway
Quincy, IL 62305
Phone: 217-222-0466

Fax: 217-222-0493
email: engineering@hollisterwhitney.com
www.hollisterwhitney.com

ENGINEERING INFORMATION: WE REQUIRE ALL CHECKED ITEMS

ENGRG. CONTACT: _____

COMPANY: _____

EMAIL: _____

FAX NO: _____

JOB NAME: _____

ELEV. #: _____

H-W #: _____

FROM (H-W): _____

DATE: _____

GEARED MACHINES- OVERHEAD APPLICATION

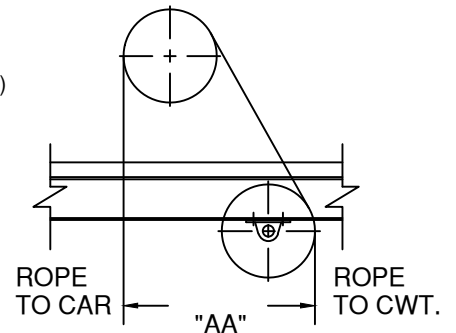
- CAPACITY: _____
- CAR SPEED: _____
- EMPTY CAR WEIGHT: _____
- HAND OF MACHINE: _____
- ROPING (1:1 OR 2:1): _____
- TRAVEL: _____
- HOIST ROPES: QUANTITY _____ SIZE _____
- PITCH OF HOIST ROPES (C.L. TO C.L. OF GROOVES ON FACE OF TRACTION SHV): _____
(H-W STANDARD IS 7/8" FOR 1/2" ROPES AND 1" FOR 5/8" ROPES)
- CERTIFIED OUTLINE DIMENSION PRINTS OF MOTOR WITH FULL LOAD R.P.M. INCLUDED
- MOTOR POWER SUPPLY: _____ VOLTAGE
- FOR EXISTING MOTORS ONLY, PLEASE FILL IN DIMENSIONS ON ENCLOSED BULL. 1109
- ASME A17 CODE COMPLIANCE TO WHICH YEAR REVISION: _____
- SEISMIC ZONE: _____
- DO YOU HAVE AN EXISTING DEFLECTOR SHEAVE: _____
 IF NOT, WHAT DIAMETER TRACTION SHEAVE IS REQUIRED: _____
- DO THE HOIST ROPES DROP STRAIGHT DOWN TO THE CAR HITCH
AS SHOWN IN SKETCH "A": _____
- FOR CAPACITIES AT OR ABOVE 3500# AND CAR SPEEDS AT OR ABOVE 350 FPM
PROVIDE THE CAR TO CWT. ROPE DROP DISTANCE. (SEE SKETCH "A" - DIM. "AA")

SHEAVES

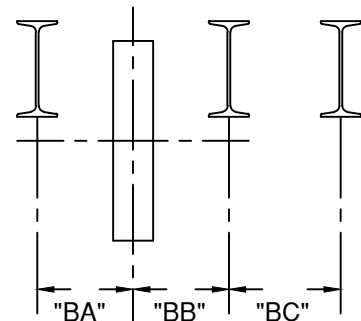
- HOIST ROPES: QUANTITY _____ SIZE _____
- PITCH OF HOIST ROPES: _____
- BEAM / CHANNEL SIZE: _____" H x _____" W
- BEAM SPACING (SEE SKETCH "B" - DIM. "BA", "BB" & "BC")
- IF DEFLECTOR MOUNTING IN MACHINE ROOM
SEE ATTACHED SURVEY E-147

MACHINE ISOLATION

- IS FLOOR SLAB EXISTING? _____
- FLOOR SLAB THICKNESS: _____
(ABOVE MACHINE BEAMS)
- BEAM / CHANNEL SIZE: _____" H x _____" W
- BEAM SPACING (SEE SKETCH "B" - DIM. "BA", "BB" & "BC")



SKETCH "A"



SKETCH "B"



HOLLISTER-WHITNEY ELEVATOR CORPORATION

#1 Hollister-Whitney Parkway
 Quincy, IL 62305
 Phone: 217-222-0466

Fax: 217-222-0493
 email: engineering@hollisterwhitney.com
www.hollisterwhitney.com

ENGINEERING INFORMATION: WE REQUIRE ALL CHECKED ITEMS

ENGRG. CONTACT: _____

COMPANY: _____

EMAIL: _____

FAX NO: _____

JOB NAME: _____

ELEV. #: _____

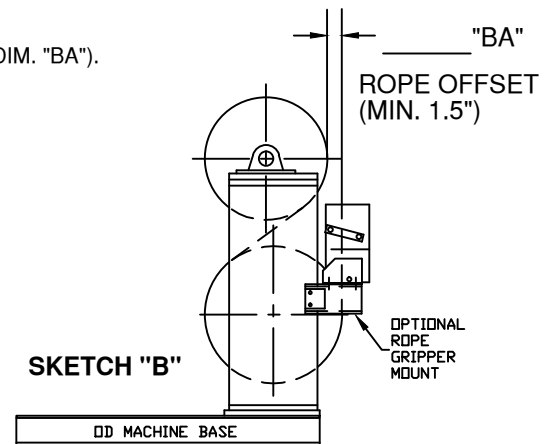
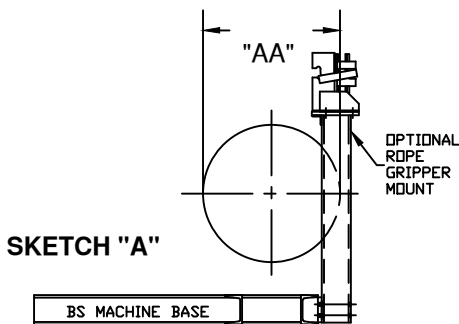
H-W #: _____

FROM (H-W): _____

DATE: _____

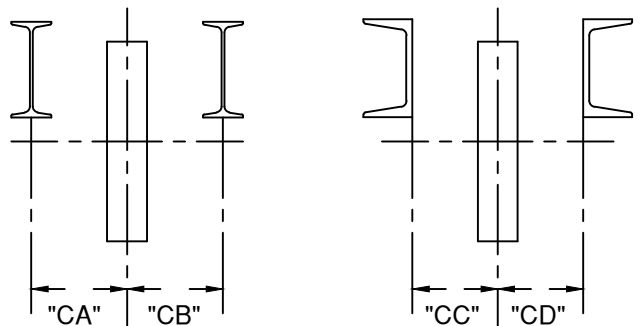
GEARED MACHINES- BASEMENT APPLICATION

- CAPACITY: _____
- CAR SPEED: _____
- EMPTY CAR WEIGHT: _____
- HAND OF MACHINE: _____
- ROPING (1:1 OR 2:1): _____
- TRAVEL: _____
- HOIST ROPES: QUANTITY _____ SIZE _____
- PITCH OF HOIST ROPES (C.L. TO C.L. OF GROOVES ON FACE OF TRACTION SHV): _____
 (H-W STANDARD IS 7/8" FOR 1/2" ROPES AND 1" FOR 5/8" ROPES)
- CERTIFIED OUTLINE DIMENSION PRINTS OF MOTOR WITH FULL LOAD R.P.M. INCLUDED
- MOTOR POWER SUPPLY: _____ VOLTAGE
- FOR EXISTING MOTORS ONLY, PLEASE FILL IN DIMENSIONS ON ENCLOSED BULL. 1109
- ASME A17 CODE COMPLIANCE TO WHICH YEAR REVISION: _____
- SEISMIC ZONE: _____
- "BS" BASEMENT MACHINES, WHAT TRACTION SHEAVE DIAMETER IS REQUIRED: _____
 (SEE SKETCH "A" - DIM. "AA")
- "OD" BASEMENT MACHINES, PROVIDE ROPE OFFSET (SEE SKETCH "B" - DIM. "BA").
- IS ROPE GRIPPER MOUNTING REQUIRED ON THE MACHINE: _____



SHEAVES (OVERHEAD/CAR/CWT.)

- QUANTITY: CAR SHVS. _____ CWT. SHVS. _____
- DIAMETER: CAR SHVS. _____ CWT. SHVS. _____
- HOIST ROPES: QUANTITY _____
- HOIST ROPES: SIZE _____
- PITCH OF HOIST ROPES: _____
- BEAM / CHANNEL SIZE: _____" H x _____" W
- BEAM SPACING : _____
 (SEE SKETCH "C" - DIM. "CA"/ "CB" OR "CC"/ "CD")



SKETCH "C"



HOLLISTER-WHITNEY ELEVATOR CORPORATION

#1 Hollister-Whitney Parkway
Quincy, IL 62305
Phone: 217-222-0466

Fax: 217-222-0493
email: engineering@hollisterwhitney.com
www.hollisterwhitney.com

ENGINEERING INFORMATION: WE REQUIRE ALL CHECKED ITEMS

ENGRG. CONTACT: _____

COMPANY: _____

EMAIL: _____

FAX NO: _____

JOB NAME: _____

ELEV. #: _____

H-W #: _____

FROM (H-W): _____

DATE: _____

GEARLESS MACHINES- OVERHEAD APPLICATION

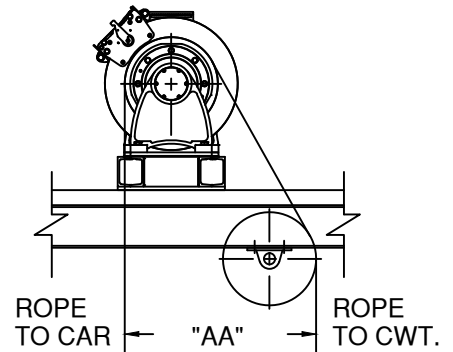
- CAPACITY: _____
- CAR SPEED: _____
- EMPTY CAR WEIGHT: _____
- ROPING (1:1 OR 2:1): _____
- TRAVEL: _____
- HOIST ROPES: QUANTITY _____ SIZE _____
- PITCH OF HOIST ROPES (C.L. TO C.L. OF GROOVES ON FACE OF TRACTION SHV): _____
- ARE YOU RETAINING AN EXISTING DEFLECTOR SHEAVE: _____ DIA. _____
- IF NOT, WHAT DIAMETER TRACTION SHEAVE IS REQUIRED (15", 20", 25" AVAILABLE): _____
- DISTANCE FROM THE ROPE DROP TO THE CAR TO THE ROPE DROP TO THE CWT. (SEE SKETCH "A" - DIM "AA")
- MACHINE POWER SUPPLY: _____ VOLTAGE
- CONTROLLER MANUFACTURER: _____
- DRIVE MANUFACTURER: KEB MAGNETEK OTHER (CABLE BY CUSTOMER)
- IS MANUAL BRAKE RELEASE CABLE REQUIRED? _____ IF SO, SPECIFY LENGTH (STD. IS 8'-0"): _____
(IF USING G.A.L. CONTROL, CONFIRM WITH THEM IF BRAKE RELEASE CABLE IS REQUIRED)
- ENCODER CABLE LENGTH (STD. IS 20 METER [65.6']): _____
- ASME A17 CODE COMPLIANCE TO WHICH YEAR REVISION: _____
- SEISMIC ZONE: _____

SHEAVES

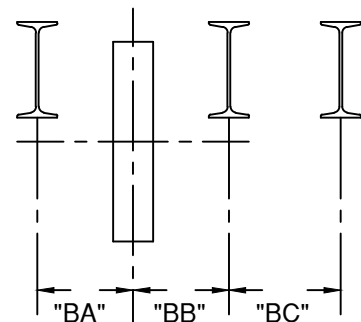
- HOIST ROPES: QUANTITY _____ SIZE _____
- PITCH OF HOIST ROPES: _____
- BEAM SPACING (SEE SKETCH "B" - DIM. "BA", "BB" & "BC")
- IF DEFLECTOR MOUNTING IN MACHINE ROOM
SEE ATTACHED SURVEY E-147

MACHINE ISOLATION

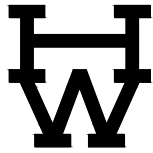
- IS FLOOR SLAB EXISTING: _____
- FLOOR SLAB THICKNESS: _____
(ABOVE MACHINE BEAMS)
- BEAM / CHANNEL SIZE: _____ " H x _____ " W
- BEAM SPACING (SEE SKETCH "B" - DIM. "BA", "BB" & "BC")



SKETCH "A"



SKETCH "B"



HOLLISTER-WHITNEY ELEVATOR CORPORATION

#1 Hollister-Whitney Parkway
Quincy, IL 62305
Phone: 217-222-0466

Fax: 217-222-0493
email: engineering@hollisterwhitney.com
www.hollisterwhitney.com

ENGINEERING INFORMATION: WE REQUIRE ALL CHECKED ITEMS

ENGRG. CONTACT: _____

COMPANY: _____

EMAIL: _____

FAX NO: _____

JOB NAME: _____

ELEV. #: _____

H-W #: _____

FROM (H-W): _____

DATE: _____

SAFETIES

- EMPTY CAR WEIGHT: _____
- CAPACITY: _____
- COMPENSATION WEIGHT(IF APPL.): _____
- CAR SPEED: _____
- FACE TO FACE OF GUIDE RAILS: _____
- RAIL SIZE (IN LBS.): _____
- GOVERNOR LOCATION (SHOW ON SKETCH "D")
- STILE SIZE: _____

GOVERNORS

- CAR SPEED: _____
- TRIPPING SPEED: _____
- SHEAVE DIAMETER (12" OR 16"): _____
- GOVERNOR ROPE DIAMETER: _____
- GOVERNOR PULL-THRU (IN LBS.): _____ OR
TYPE OF EXIST. SAFETY (DRUM, GRADUAL, ETC.): _____
- HAND OR LOCATION (SHOW ON SKETCH "D")

TENSION WEIGHTS

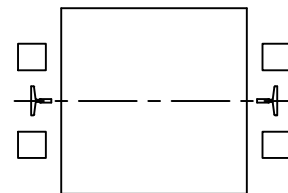
- RAIL SIZE (IN LBS.): _____
- SHEAVE DIAMETER (12" OR 16"): _____
- GOVERNOR ROPE DIAMETER: _____

SHOES AND PLATES

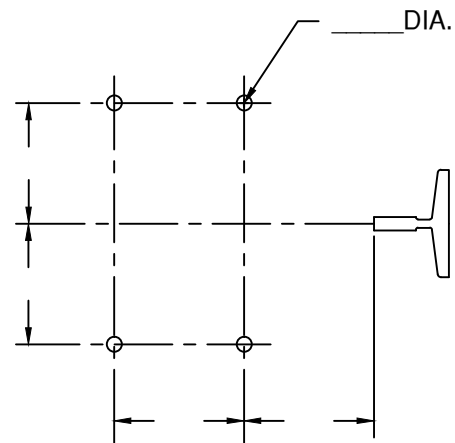
- SHOE TYPE: _____ MANUFACTURER: _____
- RAIL SIZE (IN LBS.): _____
- TEMPLATE (FILL IN ALL DIMS. ON SKETCH "E")

ROPE GRIPPERS

- EMPTY CAR WEIGHT: _____
- CAPACITY: _____
- COMPENSATION WGT.(IF APPL.): _____
- CAR SPEED: _____
- 1: 1 OR 2:1 ROPED: _____
- HOIST ROPES: QUANTITY _____ SIZE _____
- OUT-TO-OUT OF HOIST ROPES (SEE SKETCH "F" - DIM. "FF"): _____
- GEARED GRIPPER POWER SUPPLY (115V OR 230V): _____ V.
- GEARED GRIPPER HAND (LEFT OR RIGHT): _____
(NOT REQUIRED IF MOUNTED ON OH MACHINE)



FRONT
SKETCH "D"



SKETCH "E"



SKETCH "F"