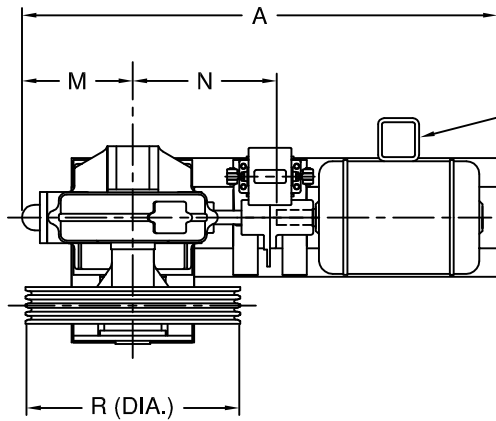


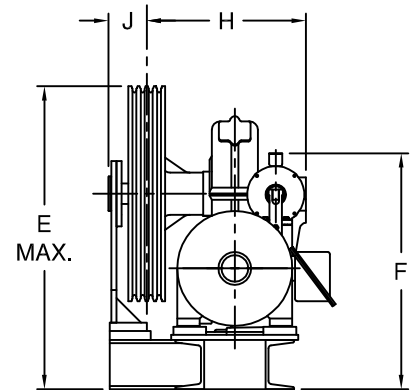
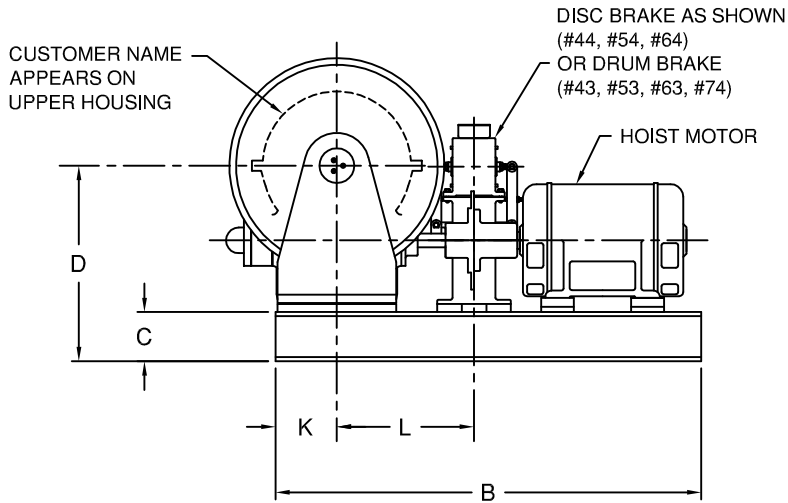
**BASEMENT SET TRACTION MACHINE DIMENSIONS**

MACH.	BRAKE	A	B	C	D	E	F	H	J	K	L	M	N	R (DIA.)	
														MIN.	MAX.
#44 B.S.	#102 DISC	58 3/8	52	6	23 7/8	37 7/8	28 7/8	20	5	7 1/2	15 5/16	13 7/8	17 9/16	20	28
#43 B.S.	#90 DRUM	58 3/8	52	6	23 7/8	37 7/8	36 3/4	20	5	7 1/2	16 3/4	13 7/8	17 3/8	20	28
#54 B.S.	#102 DISC	63 1/4	58	6	26 3/4	41 3/4	30 5/8	23 3/4	6 1/4	9 1/2	15 5/8	14 3/4	17 3/4	20	30
#53 B.S.	#100 DRUM	63 1/4	58	6	26 3/4	41 3/4	39	23 3/4	6 1/4	9 1/2	19	14 3/4	19 9/16	20	30
#64 B.S.	#112 DISC	73 1/4	66	8	33 1/4	51 1/4	34 1/2	25 1/2	7 3/4	11	17 5/8	18 1/4	19 7/8	25	36
#63 B.S.	#110 DRUM	73 1/4	66	8	33 1/4	51 1/4	45	25 1/2	7 3/4	11	23 3/8	18 1/4	24 3/8	25	36
#74 B.S.	#120 DRUM	82 13/16	76	10	40 13/16	59 13/16	46 5/8	31 3/4	10	12 1/2	23 3/4	19 5/16	24 3/4	32	38



NOTE:  
STANDARD LOCATION OF THE JUNCTION BOX IS ON THE RIGHT SIDE OF THE MOTOR AS SHOWN. THE JUNCTION BOX MAY BE LOCATED ON THE LEFT SIDE OF THE MOTOR IF REQUESTED BY THE CUSTOMER.

LEFT HAND MACHINE SHOWN,  
RIGHT HAND MACHINE SYMMETRICALLY  
OPPOSITE ABOUT  $\varnothing$  OF TRACTION SHEAVE.



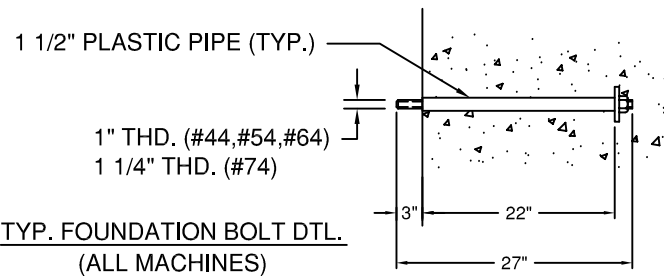
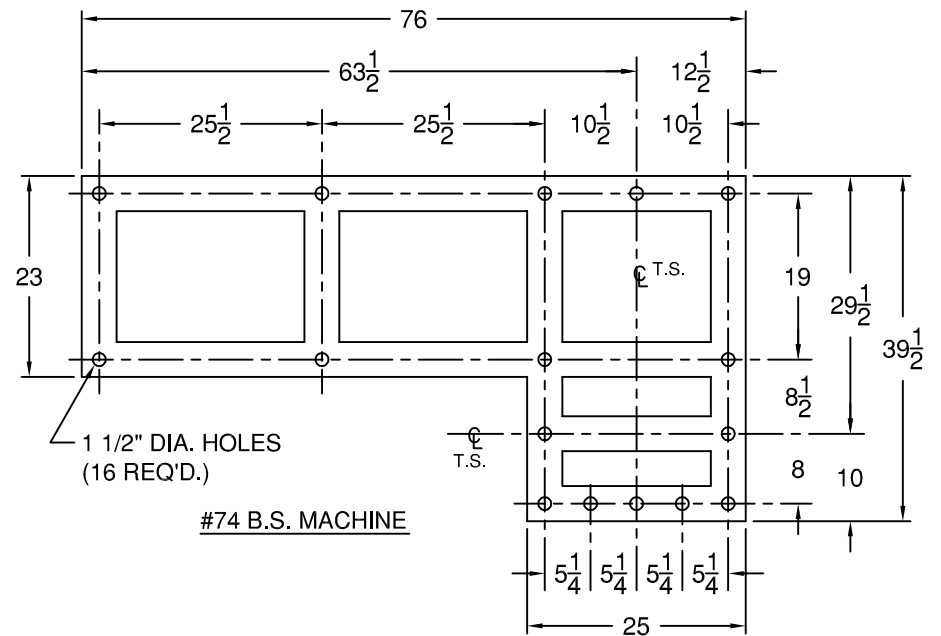
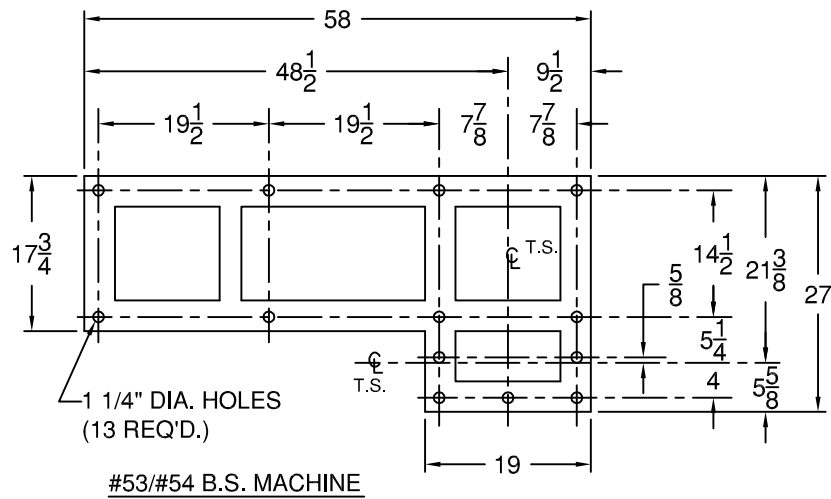
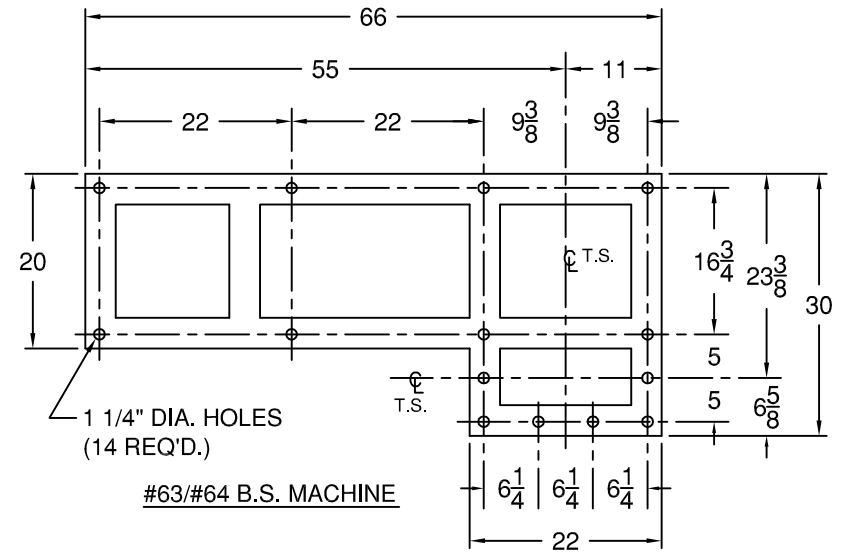
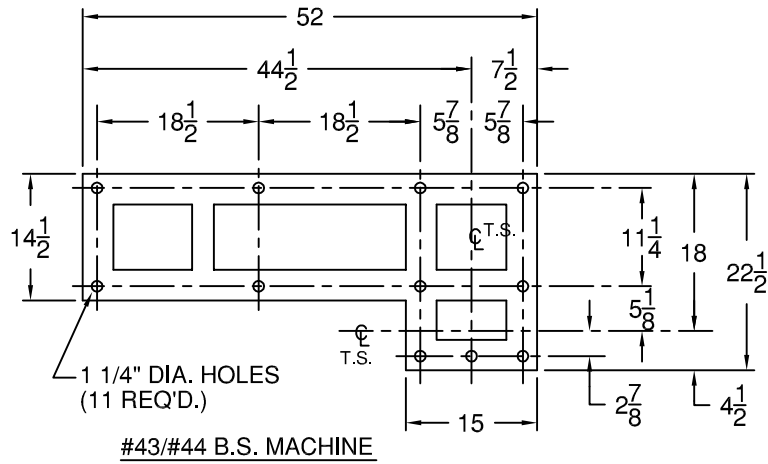
**HOLLISTER-WHITNEY  
ELEVATOR CORPORATION  
QUINCY ILLINOIS**

**BASEMENT SET TRACTION  
MACHINES**

PUR #475	12-3-2011
	11-13-2003

**DIMENSIONAL  
SHEET**

**1108**



RIGHT HAND MACHINES SHOWN,  
LEFT HAND MACHINE SYMMETRICALLY  
OPPOSITE ABOUT Q<sub>c</sub> OF TRACTION SHEAVE.

BULLETIN 1108

PUR #475	12-3-2011
	4-10-2006